

## INSTALLATION INSTRUCTIONS FOR EC FAN SPEED CONTROLLERS

**The MTV-1/010-AUS Potentiometer for 0-10 Vdc.**

**1 X EC CONTROLLER REQUIRED PER CIRCUIT.**

**PLEASE CONTACT AIRIUS FOR RECOMMENDED QUANTITY OF FANS PER CONTROLLER FOR YOUR UNIQUE APPLICATION.**

### Technical Data

Voltage: 230Vac – 50/60Hz

Output: 0-10 Vdc > 1 kOhm (max 8 mA)

### Inset Mounting (IP44)

Break mains voltage. Connect according to diagram. Mount the inner case to the wall with the connections pointing down. Mount cover with nut to the wall. Push knob in place at off position.

### Surface Mounting (IP54)

Break mains voltage. Mount surface mounting case to the wall together with included grommets. Connect according to diagram. Mount inner case in surface mounting case with included screws. Mount cover with nut to surface mounting case. Push knob in place at off position. When needed a 5mm hole for condensation water is to be drilled at the bottom of the surface mounting case.

### In Case Of Faulty Operation

Please check that: Right voltage is applied. All connections are correct. The machine to be regulated is functioning.

### Transport and Stock Keeping

Avoid shocks. Stock in original packaging. Avoid extreme conditions.

### Warranty

Two years from delivery date against defects in manufacturing. Any modifications or alterations to the product relieve the manufacturer of all responsibility. The manufacturer bears no responsibility for any misprints or mistakes in this data, and modifications or improvements to the product can be made at any time after date of publication.



### Maintenance

In normal conditions the controllers are maintenance-free. If soiled clean with dry or dampish cloth. In case of heavy pollution clean with a non-aggressive product. In these circumstances the controller should be disconnected from the mains. Pay attention that no fluids enter the controller. Only reconnect the controller to the mains when it is completely dry.

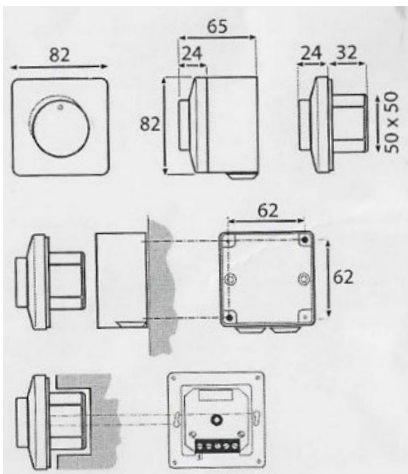


All works may only be carried out by skilled personnel following the local regulations and AFTER the controller is completely separated from the mains.



According to the low voltage directive: 2006/95/EC/  
The EMC directive: 2004/108/EC

## DIMENSIONS



## SPEED CONTROLLER COMPONENTS



MOUNTING CASE



SPEED CONTROLLER



FACEPLATE



2 x SCREWS & WASHERS  
TO FIT CONTROLLER  
TO MOUNTING CASE

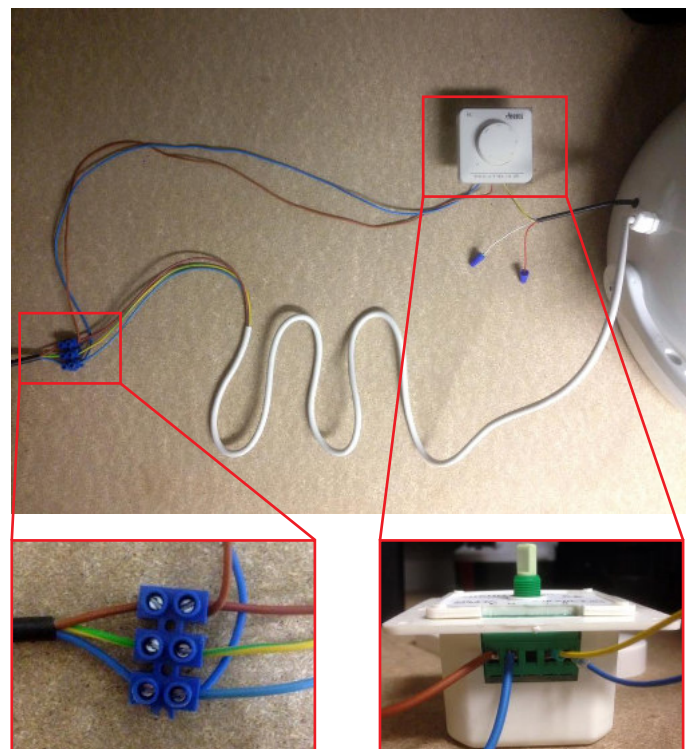
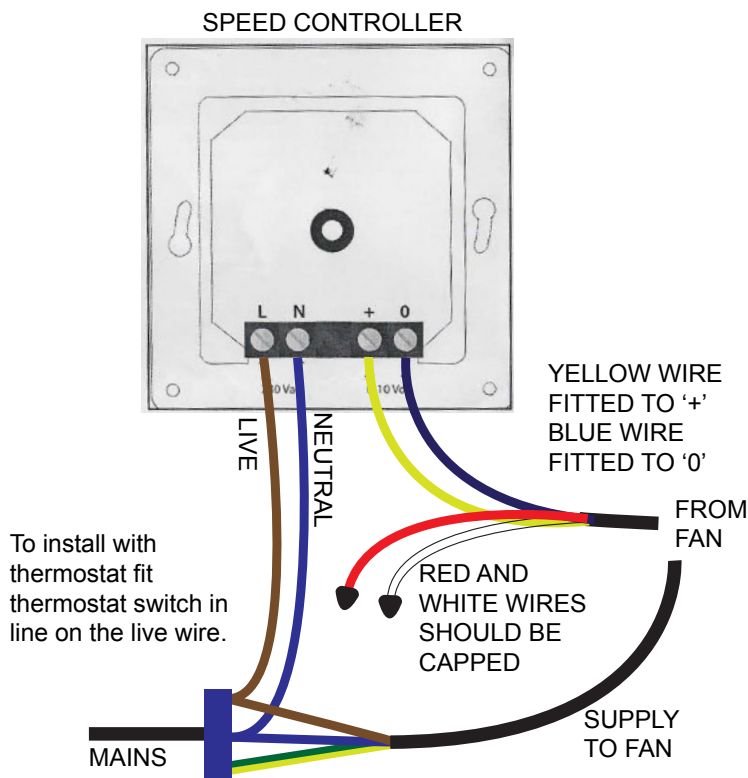


NUT & WASHER  
TO FIT FACEPLATE  
TO CONTROLLER



SPEED CONTROL  
KNOB

## WIRING DIAGRAM



When wiring is complete controller should appear as above.